



Engine	Cummins 6BTAA5.9-C150
Rated Power	112 kW (150 hp / 152 ps) @ 2,200 rpm
Net Power	100 kW (134 hp / 136 ps) @ 2,200 rpm
Blade Width	3,660 mm
Maximum Speed	41 km/h
Draw Bar Pull	70 kN
Operating Weight	13,500 kg

4140 MOTOR GRADER

4140 SPECIFICATIONS >>>

ENGINE

Emission Regulation	Tier 2 / Stage II
Manufacturer	Cummins
Model	6BTAA5.9-C150
Rated Power	112 kW (150 hp / 152 ps) @ 2,200 rpm
Net Power	100 kW (134 hp / 136 ps) @ 2,200 rpm
Peak Torque	670 N·m
Number of Cylinders	6
Aspiration	Turbo & air-to-air intercooled

TRANSMISSION

Transmission Type	Power shift
Torque Converter	Three – member single turbine
Maximum Travel Speed, fwd	41 km/h
Maximum Travel Speed, rev	29 km/h
Number of Speeds, fwd	6
Number of Speeds, rev	3

AXLES

Differential Type	Limited slip
Final Drive Type	Chain drive
Axle Oscillation	15°
Front Axle, Wheel Lean Angle	Left / right 17°

STEERING

Steering Configuration	Load sensor steering gear
Steering Relief Pressure	16.7 MPa
Minimum Turning Radius	7,200 mm
Steering Angle	± 45°
Frame Articulation Angle	± 20°

BRAKES

Service Brake Type	Shoe
Service Brake Location	Rear axle only

TIRES

Tire Size	13.00 - 24
-----------	------------

HYDRAULIC SYSTEM

Main Pump Type	Gear
Main Relief Pressure	18 MPa
Pilot Pump Flow	122 L/min

WORKING CAPACITIES

Maximum Draw Pull	70 kN
Cutting Pressure	6,750 kg

TANDEM DRIVE PERFORMANCE

Height	600 mm
Width	210 mm
Center Distance	1,538 mm

MOLDBOARD PERFORMANCE

Bank Cut Angle	40~70°
Moldboard Lift Above Ground	450 mm
Moldboard Side Shift, right / left	482 / 670 mm
Maximum Sloping Angle	90°
Cutting Depth	600 mm
Circle Rotation	360°
Circle Diameter	1,265 mm
Circle Thickness	130 mm

DIMENSIONS

Wheelbase	5,900 mm
Overall Length	8,400 mm
Overall Height with Cab	3,350 mm
Clearance under Front Axle	535 mm
Moldboard Standard Length	3,660 mm
Moldboard Standard Thickness	19 mm
Moldboard Standard Height	610 mm

OPERATING WEIGHTS

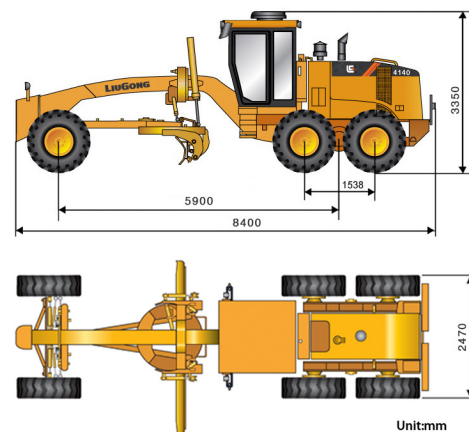
Operating Weight	13,500 kg
------------------	-----------

SERVICE CAPACITIES

Fuel Tank	240 L
Engine Oil	16.3 L
Cooling System	40 L
Hydraulic Reservoir	186 L
Transmission And Torque Converter	45 L
Tandems, Each	37.5 L

OPTIONAL EQUIPMENT

Rear Ripper
Front Dozer
Automatic Leveling System
ROPS/FOPS Cab
Rotary Beacon
Rake Attachment



Guangxi Liugong Machinery Co., Ltd.

No. 1 Liutai Road, Liuzhou, Guangxi 545007, PR China
 T: +86 772 3886124 E: overseas@liugong.com
 www.liugong.com

Specifications and designs are subject to change without notice. Machines shown may include optional equipment. LiuGong standard and optional equipment may vary from region to region. Please consult your LiuGong dealer for information specific to your area. Engine power kW is converted to horsepower (1 kW=1.3596 ps and 1 kW=1.3410 hp) in this file.

04/2020 Designed by LiuGong
 Replace the previous versions of 01/2019